

Model

2001061

**SBP-600-ILINE Mobile I-Line
Distribution Panel**



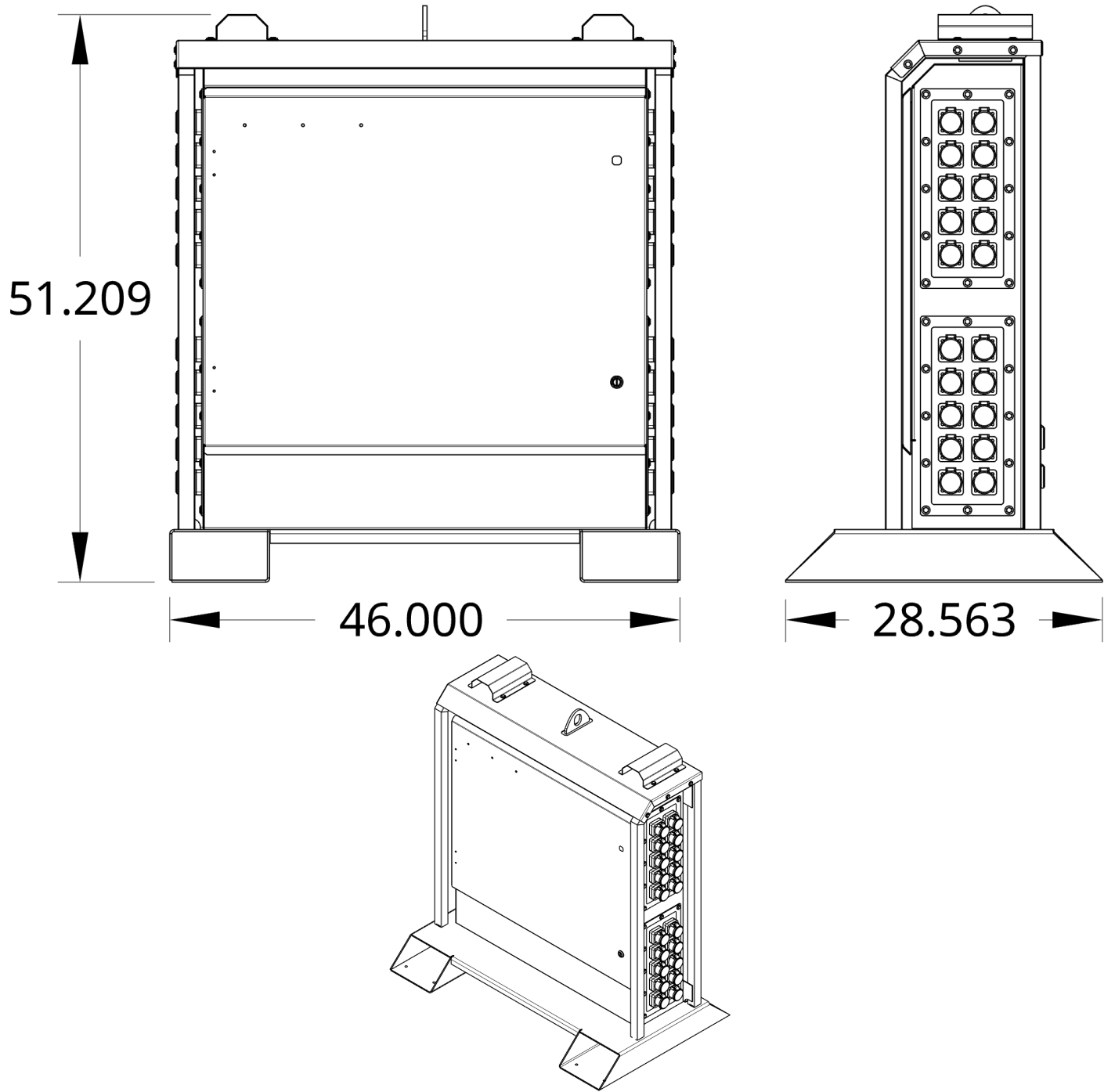
FEATURES

- | | |
|--|--|
| <ul style="list-style-type: none"> • Prototype & Production Tested Design • Wide range of options and accessories available • Simple access for maintenance and operations • Weatherproof enclosure with NEMA 3R compliance • Safety guards for all electrical connections • Lockable latches standard | <p>I-LINE</p> <ul style="list-style-type: none"> • Circuit breaker power distribution I-LINES are for use on AC or DC systems. • Hinged access door to make reconfiguration simple • Heavy duty mobile rated design • Aluminum glands for inlet and outlet • Bilingual decal package ready for all markets |
|--|--|

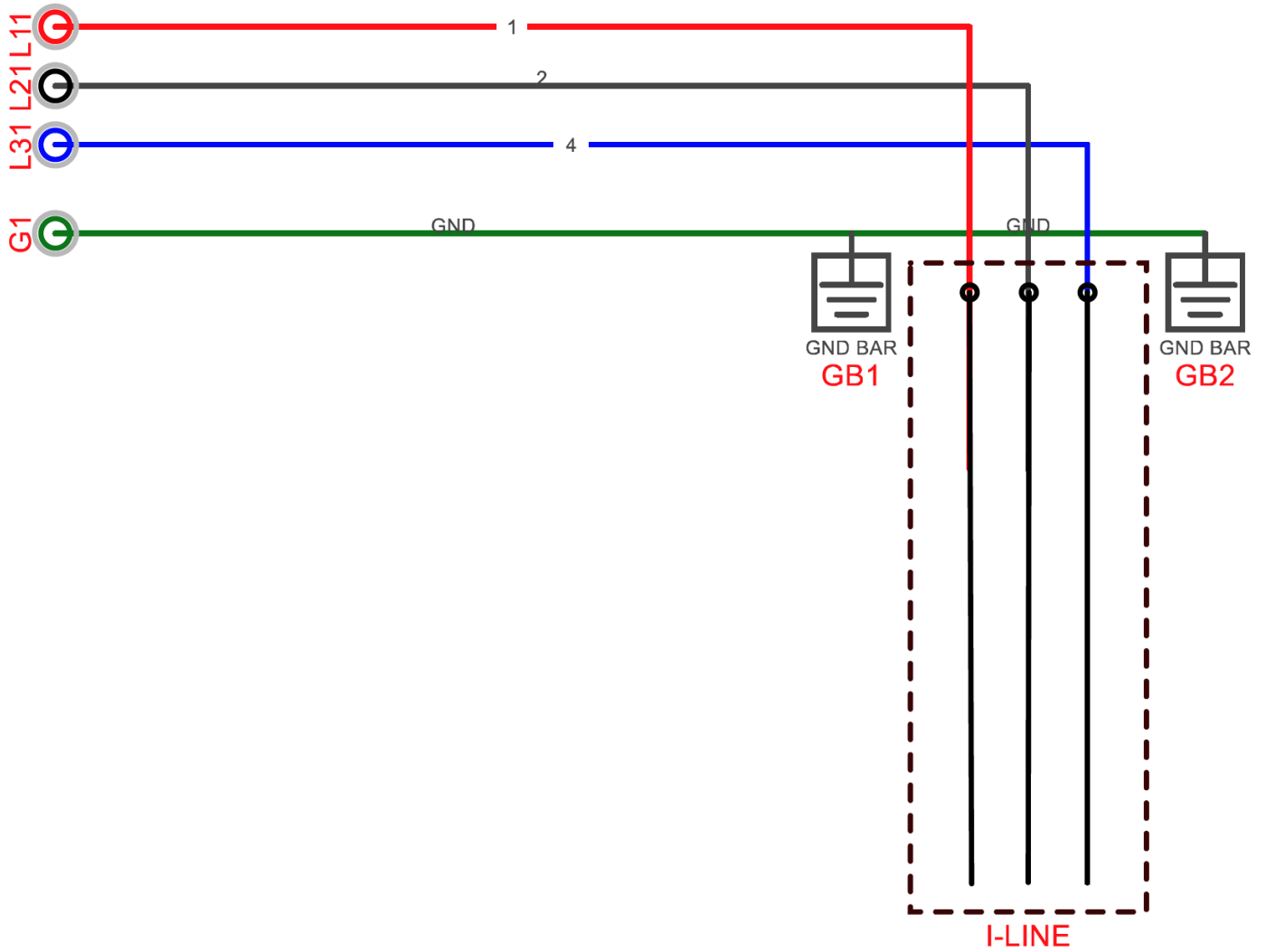
UNIT SPECIFICATIONS

Rated Voltage(s)	<ul style="list-style-type: none"> • 120/240Vac; 1-phase, 3-wire • 240Vac; 1-phase, 2-wire • 240Vac; 3-phase, 3-wire • 240 Vac Ground, B-phase; 3-phase, 3-wire • 208Y/120Vac; 3-phase, 4-wire • 480Y/277Vac; 3-phase, 4-wire • 480Vac; 3-phase, 3-wire • 600Y/347Vac; 3-phase, 4-wire • 600Vac; 3-phase, 3-wire • 125/250Vdc; 3-wire • 250Vdc; 2-wire
Rated Current	600 Amps
Circuit Breaker Space	27 inches of circuit breaker space
Enclosure Rating	NEMA 3R
Branch Circuit Breaker Type	FA, FH, BD, BG, BJ, BK, HD, HG, HJ, HL, HR, QB, QD, QG, QJ, JD, JG, JJ, JL, JR, LA, LD, LG, LJ, LH, LL, LR, MG, MJ, PG, PJ, PK, PL, RG, RJ, RK, and RL.
Number of Phases	3
Rated Interrupt Current	Up to 200kA maximum (100kA@600Vac) when supplied by an I-Limiter™ circuit breaker.
Connection Type	5 Wire (L1, L2, L3, N, GND) 2 Per Phase and Neutral 1 Ground
Length [INCHES]	46 in
Width [INCHES]	28.75 in
Height [INCHES]	52.5 in
Weight [LBS]	TBD lbs
Compliance / Approvals	SPE-1000, UL67, CSAC22.2, UL1640 Compliant Design, UL 489, CE Compliant

DIMENSIONS



BASE WIRING DIAGRAM



©2023 Eco Power Equipment Ltd. All rights reserved. All specifications are subject to change without notice.